



## Braided Stainless Steel Water Connectors

Burst-free, lead-free, and hassle-free water connectors for all plumbing

### Certifications & Approvals

- cUPC / NSF 61 Compliant for safe drinking water
- NSF 372 Compliant : Lead-Free
- ASME A 112.18.6-2009 / CSA B 125.6-2009





## Applications

- Faucets
- Toilets
- Dishwashers
- Ice Makers
- Washing Machines

## Benefits

- Reduced Labor Costs
- Burst-Free
- No Special Tools Required
- Variety of Connections
- Environmentally Safe

FC STEEL braided water connectors can be used for commercial or residential applications. FC STEEL offers a complete line of flexible water connectors that are built to last. Durable lead-free connectors are chosen by professional plumbers.



### Toilet Connector

- Tube-PVC
- Jacket-Braided Stainless Steel 304
- Nut-Chrome Plated Brass
- Max. Working Temperature 180°F (82°C)
- Max. Working Pressure 125 psi (8.6bar)



### Faucet Connector

- Tube-PVC
- Jacket-Braided Stainless Steel 304
- Nut-Chrome Plated Brass
- Max. Working Temperature 180°F (82°C)
- Max. Working Pressure 125 psi (8.6bar)



### Dishwasher Connector

- Tube-PVC
- Jacket-Braided Stainless Steel 304
- Nut-Chrome Plated Brass
- Max. Working Temperature 180°F (82°C)
- Max. Working Pressure 125 psi (8.6bar)



### Ice maker Connector

- Tube-PVC
- Jacket-Braided Stainless Steel 304
- Nut-Chrome Plated Brass
- Max. Working Temperature 180°F (82°C)
- Max. Working Pressure 125 psi (8.6bar)



### Washing Machine Connector

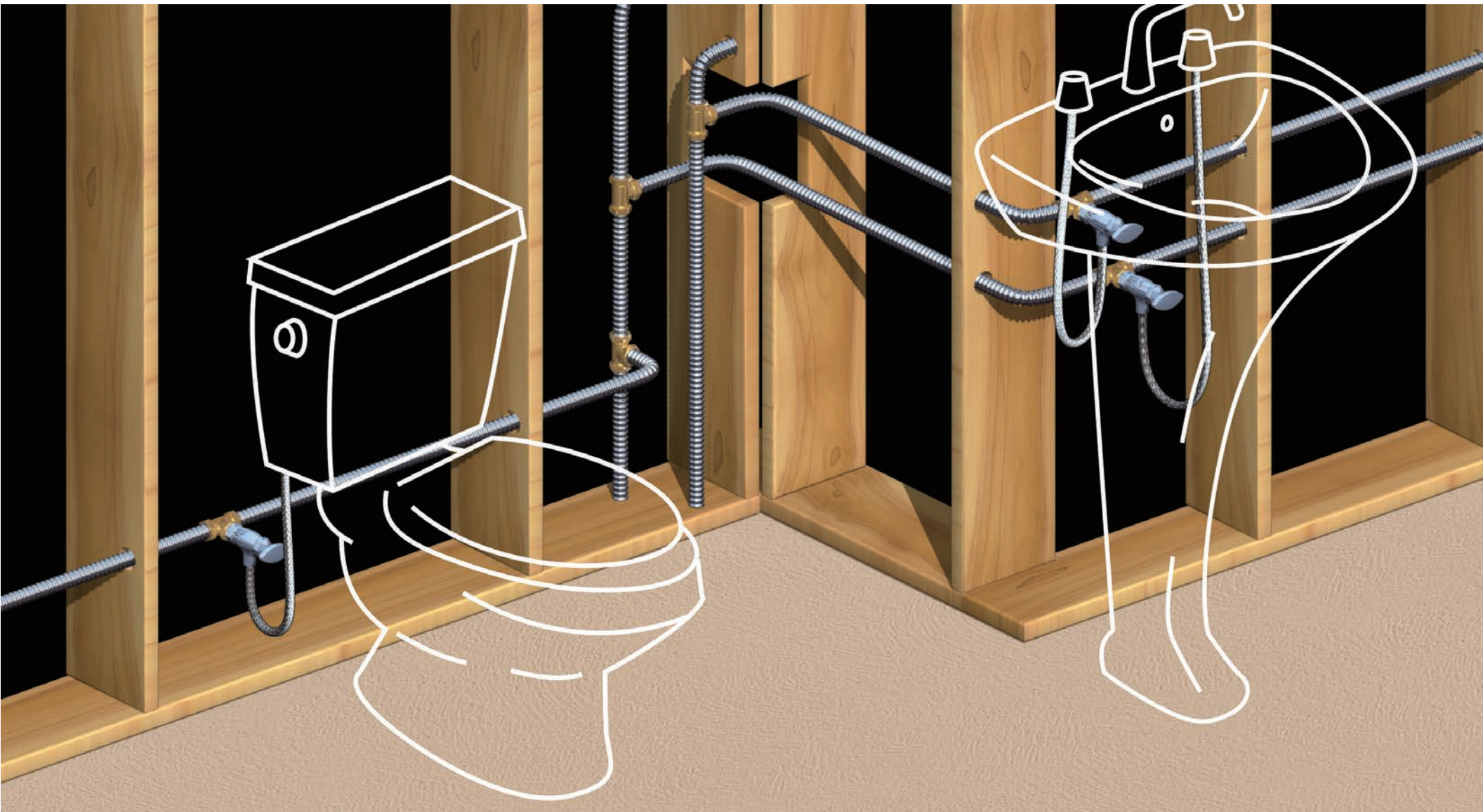
- Tube-PVC
- Jacket-Braided Stainless Steel 304
- Nut-Chrome Plated Brass
- Max. Working Temperature 180°F (82°C)
- Max. Working Pressure 125 psi (8.6bar)

### Materials

Jacket	Braided Stainless Steel 304
Inner Hose	PVC
Fitting	Chrome-Plated Brass

### Technical Specifications

Rated Temperature	-40° F to 180° F (-40° C to 82° C)
Maximum Pressure	125 psi (8.6 bar)



## NO Special Tools Required!

- Durable, flexible water connector features reinforced PVC inner hose, braided with stainless steel.
- Requires no cutting or soldering during installation.
- Chrome plated brass hex nuts for corrosion resistance.
- Nut-to-hose connection with 12-sided pneumatic crimp.
- EPDM gasket helps provide a water-tight connection.

## Parts Numbering System

### APPLICATION

Part#	Size (ID)
FC	FAUCET CONNECTOR
TC	TOILET CONNECTOR
IC	ICE MAKER CONNECTOR
WM	WASHING MACHINE CONNECTOR
DC	DISHWASHER CONNECTOR

### FITTINGS

Part#	Size (ID)
14C	1/4" COMPRESSION
38C	3/8" COMPRESSION
12C	1/2" COMPRESSION
12F	1/2" FIP
MBC	7/8" METAL BALLCOCK
BC	7/8" BALLCOCK
DT	DELTA TYPE
34HB	3/4" GARDEN HOSE THREAD
38L	3/8" ELBOW
HBL	3/4" GARDEN HOSE ELBOW

### LENGTH

#### Standard Lengths

ALL IN INCHES EXCEPT ICE MAKER (FT)



EF - FC - 38C12F - 12

APPLICATION

FITTINGS

LENGTH



**Safeflow**



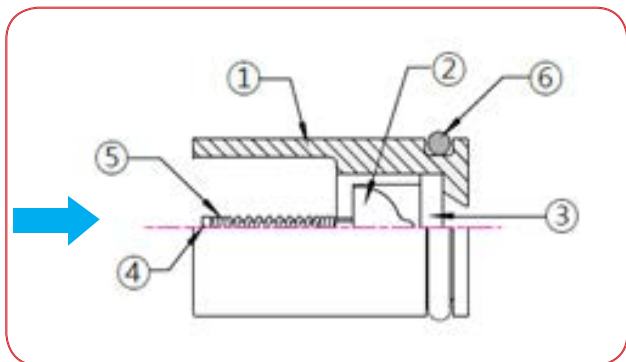
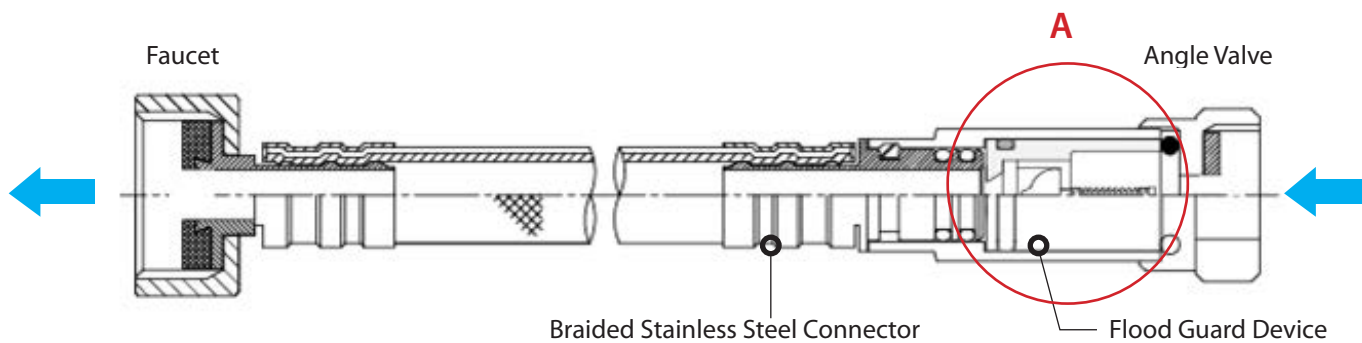
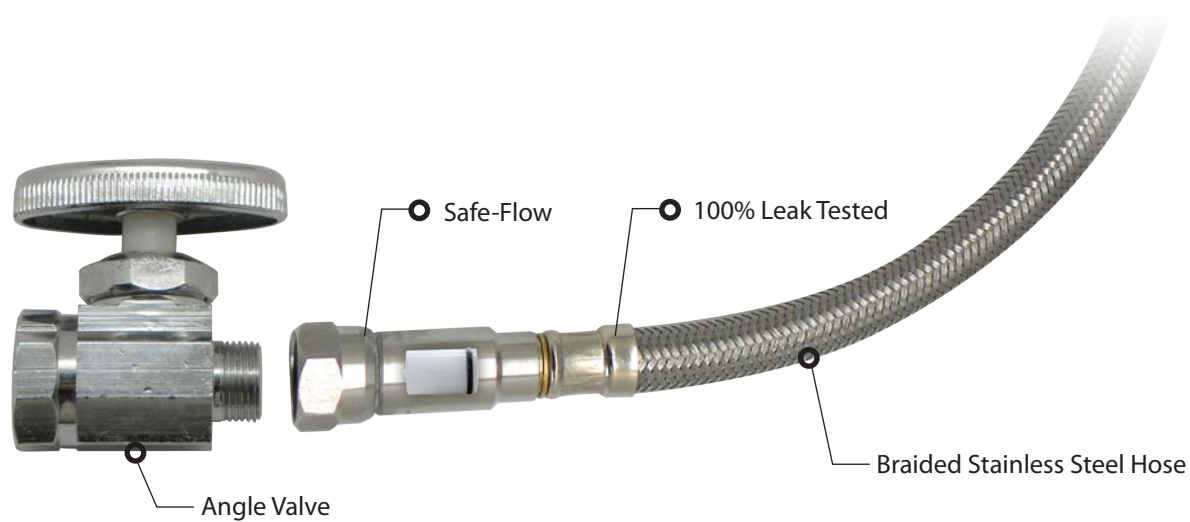
*Lead-free*

- UPC / NSF 61 Compliant
- NSF 372 Compliant : Lead-Free
- ASME A 112.18.6-2009 / CSA B 125.6-2009

## **NEW** Braided Stainless Steel **Safe-flow** Water Connectors

Prevents unexpected water damage from a burst of hose or excessive flow of water.

FC STEEL Safe-Flow EFV (Excess Flow Valve) is assembled in the water supplies that can be installed between angle stop and fixture. This unique valve automatically activates to prevent water damage caused by breakage, bursts or any excessive water flow.



- 1. Cylinder
- 2. Ball
- 3. Guide
- 4. Spring
- 5. O-Ring
- 6. O-Ring

< Figure A >

## Available Models



TOILET  
Connector



FAUCET  
Connector



DISHWASHER  
Connector



WASHING MACHINE  
Connector



## Installing Safe-Flow

Installing Safe-Flow connectors is easy. Simply follow the steps below:

1. Turn off water supply at shutoff valve.
2. Remove old supply connector.
3. Install the end connection with the Safe-Flow device at the shutoff valve. Install the other end of the connector to the faucet inlet.  
Caution: Hand tighten the nuts plus 1/4" turn with a wrench. Do not overtighten.
4. Slowly turn on water at the shutoff valve to full open position.
5. Check for leaks.

## Resetting Safe-Flow

Once the EFV is activated, FC STEEL Safe-Flow can be reset by simply re-installing the device.

## Available Applications

Faucets / Toilets / Dishwashers / Washing Machines

